

BUTLER

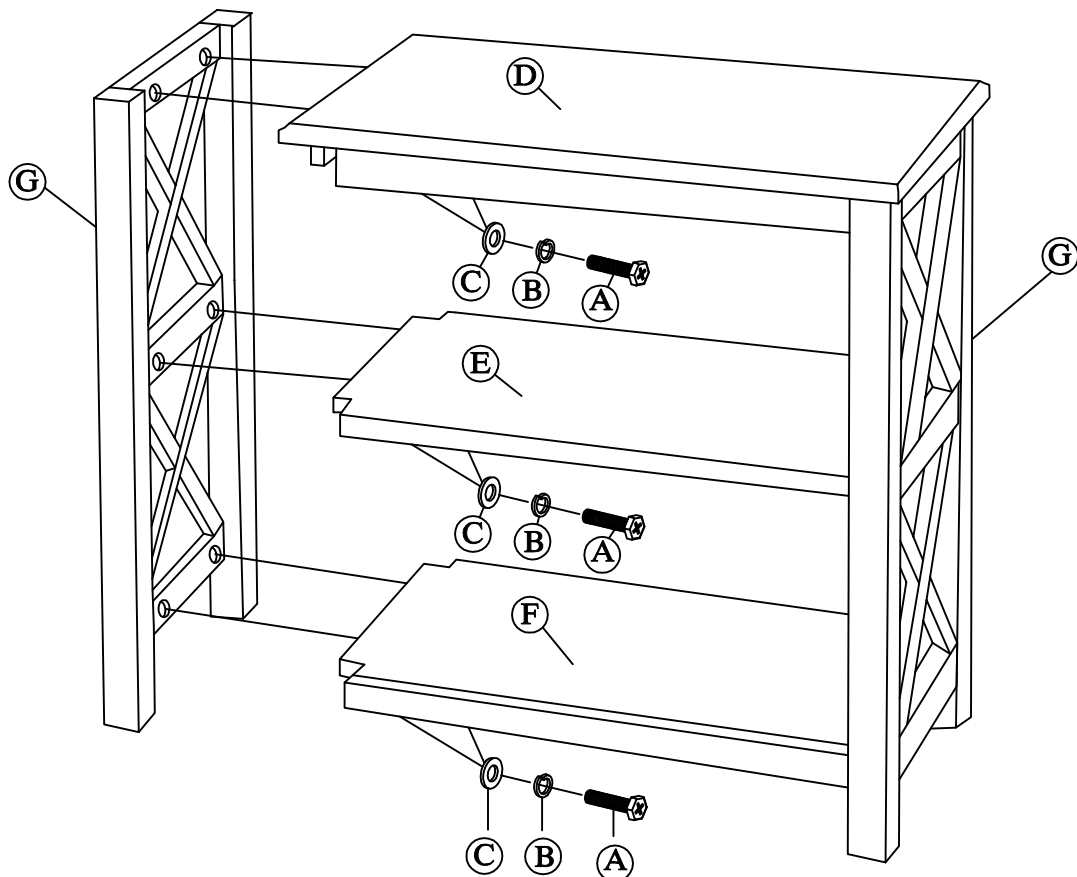
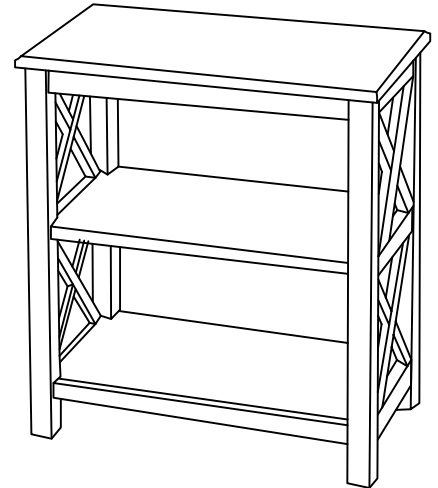
SPECIALTY COMPANY

8200 SOUTH CHICAGO AVE., CHICAGO, IL 60617

*Assembly Instructions
Style Number 4105*

PACKAGED

- (A) 12- Bolt Ø 1/4"*1-1/2"
- (B) 12-Lock Washer Ø1/4"
- (C) 12-Flat Washer Ø1/4"*Dia16mm
- (D) 1- TOP
- (E) 1- CENTER SHELF
- (F) 1- BOTTOM SHELF
- (G) 2- SIDE LEG



(*Caution:DO NOT OVERTIGHTEN

In any correspondence regarding this product, please include the complete Butler identification number located the underside of the product.

We hope this Book Table will be a useful and decorative addition to your home for years to come.

Copyright © Butler Specialty Company. 03/11